



EasySep™ Multistand



Scientists Helping Scientists™ | WWW.STEMCELL.COM

TOLL FREE PHONE 1 800 667 0322 • PHONE +1 604 877 0713

INFO@STEMCELL.COM • TECHSUPPORT@STEMCELL.COM

FOR GLOBAL CONTACT DETAILS VISIT OUR WEBSITE

Catalog #	18004	1 EasySep™ Multistand with 4 EasySep™ Magnets
	18100	1 EasySep™ Multistand with 4 "The Big Easy" EasySep™ Magnets
	18010	1 EasySep™ Multistand

Product Description

The EasySep™ Multistand allows the separation of up to 4 samples at one time. The EasySep™ Multistand holds up to 4 EasySep™ (Catalog #18000) or 4 "The Big Easy" EasySep™ Magnets (Catalog #18001). After each round of magnetic separation, the supernatants from all samples are poured off simultaneously into the receiving tubes. The receiving tube bar is indexed to ensure proper positioning of the tubes.

Properties

Storage:	Store at 15 - 25°C.
Shelf Life:	Not applicable

Handling / Directions For Use

LOAD THE MAGNETS IN THE MULTISTAND

1. Invert the magnet clamp (Figure A) and unscrew the bolts that hold the top and bottom clamping parts together (Figure B) using the supplied hex wrench.
2. Place up to 4 magnets (either the purple EasySep™ or "The Big Easy" EasySep™ Magnets) onto the top clamping part and replace the bottom clamping part in the appropriate orientation (Figure C).
3. Fasten the clamping parts together with the bolts using the supplied hex wrench and return the magnet clamp to the upright position.
4. Attach the handle to the rack. The handle can be positioned on either side.

SELECT THE APPROPRIATE TUBE RACK POSITION

1. Remove the knob on the right side of the rack (Figure D). The tube rack now rotates freely.
2. For use with purple EasySep™ Magnets, rotate the rack such that the smaller holes face upward and replace the knob in the hole that is visible in the curved slot. These holes are sized for standard 14 mL (17 x 95 mm) round-bottom tubes (e.g. Catalog #38008). For use with "The Big Easy" EasySep™ Magnets, rotate the tube rack such that the larger holes face upward. The larger holes are sized for standard 50 mL (30 x 115 mm) conical tubes (e.g. Catalog #38010).

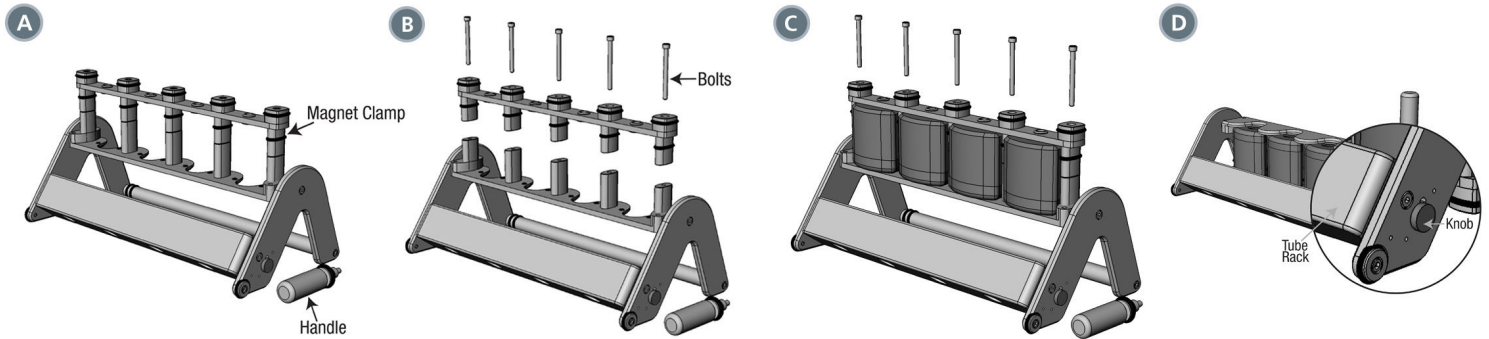
USE THE RACK FOR CELL SEPARATION

1. Follow the instructions appropriate for the size of magnets loaded in the EasySep™ Multistand.
2. Magnetically label the cells and resuspend them at the appropriate volume in the correct tubes.
3. Orient the EasySep™ Multistand in the upright position.
4. Place the tubes into the magnets and incubate for the recommended separation time.
5. While the separation is taking place, load the appropriate tubes into the tube rack.
6. Grip the handle firmly and gradually pull towards you (downwards), pouring the supernatant into the empty tube(s).
7. Hold the magnets and tube inverted for 2 - 3 seconds, then return upright.
8. For positive selection: Resuspend the cells retained in the magnet using the recommended volume as per the instructions for the magnets used. If desired, the cells can be resuspended without removing the tubes from the magnets.*
For negative selection: To perform a second round of separation, remove the original tube from the magnet, pour the enriched cell suspension from the receiving tube into a new separation tube, and place the new tube into the magnet.

* Use caution: With the tubes in the magnet, resuspension with a pipette can be difficult, as bubbles are frequently generated.

CARE OF THE MULTISTAND

After completing a cell separation, wipe the multistand and the magnets clean with distilled water and then with alcohol to dry. To disinfect the multistand and magnets, wipe with 10% diluted household bleach and then wipe off with a water-dampened cloth to avoid corrosion of metal parts. Do not submerge the magnets in liquid.



(A) EasySep™ Multistand with the handle off and magnet holder inverted.

(B) Inverted magnet holder with clamping piece removed and bolts exposed.

(C) Inverted magnet holder with silver "The Big Easy" EasySep™ Magnets in place, clamping piece replaced (turn over the clamping piece to fit purple EasySep™ Magnets), and bolts exposed.

(D) Assembled EasySep™ Multistand with a close-up of the knob.

STEMCELL TECHNOLOGIES INC.'S QUALITY MANAGEMENT SYSTEM IS CERTIFIED TO ISO 13485. PRODUCTS ARE FOR RESEARCH USE ONLY AND NOT INTENDED FOR HUMAN OR ANIMAL DIAGNOSTIC OR THERAPEUTIC USES UNLESS OTHERWISE STATED.

Copyright © 2017 by STEMCELL Technologies Inc. All rights reserved including graphics and images. STEMCELL Technologies & Design, STEMCELL Shield Design, Scientists Helping Scientists, and EasySep are trademarks of STEMCELL Technologies Canada Inc. All other trademarks are the property of their respective holders. While STEMCELL has made all reasonable efforts to ensure that the information provided by STEMCELL and its suppliers is correct, it makes no warranties or representations as to the accuracy or completeness of such information.